

ARB **BED RACK**

Part Number: **17914080**
Suits Vehicle: **TOYOTA HILUX 150N WITH A-DECK**
Product Description: **BED RACK MOUNT KIT**
Optional kits: **1780670 BED RACK CROSS BARS PR 1230MM**
1780690 BED RACK SIDE CHANNEL
SEE BED RACK OPTIONS LIST FOR ALL OTHER ACCESSORIES

WARNING

NOTE THE FOLLOWING:

- ◆ Vehicle accessories which are not properly fitted can be dangerous.
- ◆ Please read these instructions carefully prior to fitting, and comply with the instructions at all times.
- ◆ If in any doubt please contact your nearest ARB state office or the stockist from whom it was purchased.
- ◆ Do not use this product for any vehicle make or model, other than those specified by ARB.
- ◆ This product or its fixing must not be modified in any way.
- ◆ The installation of this product may require the use of specialized tools and/or techniques.
- ◆ It is recommended that this product is only installed by trained personnel.
- ◆ These instructions are correct as at the publication date. ARB Corporation Ltd. cannot be held responsible for the impact of any changes subsequently made by the vehicle manufacturer.
- ◆ During installation, it is the duty of the installer to check correct operation/clearances of all components.
- ◆ Work safely at all times.
- ◆ Unless otherwise instructed, tighten fasteners to specified torque.
- ◆ Check bolt torque after 500km & at regular service intervals.

ARB 4x4 ACCESSORIES

Corporate Head Office

42-44 Garden St
Kilsyth, Victoria
AUSTRALIA 3137

Tel: +61 (3) 9761 6622
Fax: +61 (3) 9761 6807

Australian enquiries
North & South American enquiries
Other international enquiries

sales@arb.com.au
sales@arbusa.com
exports@arb.com.au

www.arb.com.au

SAFETY

NET PAYLOAD FOR YOUR BED RACK

- ◆ Load must be evenly distributed and adequately secured.
- ◆ Any weight carried on the BED RACK will adversely affect its handling, particularly in cornering or in a cross-wind, the vehicle should therefore be driven with increased discretion.
- ◆ Regularly check the tightness of the securing clamps and the security of the load.
- ◆ Attention is directed to statutory requirements regarding maximum permissible projections from vehicles.
- ◆ If accessories are attached to the bed rack, one cross bar must be fitted at all times.
- ◆ All bolts should be checked prior to touring to ensure the BED RACK and accessories are fastened correctly

GENERAL CARE AND MAINTENANCE

By choosing an ARB BED RACK, you have bought a product that is one of the most sought after 4WD products in the world. Your BED RACK is a properly engineered, reliable, quality accessory that represents excellent value. To keep your BED RACK in original condition it is important to care and maintain it following these recommendations:

- As part of any pre-trip preparation, or on an annual basis, it is recommended that a thorough visual inspection of the BED RACK is carried out, making sure that all bolts and other components are torqued to the correct specification. Replace any components as necessary.



Please contact local Authorised ARB Stockist if you would like to have this service carried out on your behalf.

FITTING REQUIREMENTS

REQUIRED TOOLS FOR FITMENT OF PRODUCT:

METRIC SOCKET SET	ELECTRIC DRILL WITH Ø8.5MM DRILL BIT
TORQUE WRENCH Minimum 22Nm	DEBURRING TOOL
TOUCH UP PAINT	SCISSORS
SCREWDRIVER SET	PPE

HAVE AVAILABLE THESE SAFETY ITEMS WHEN FITTING PRODUCT:

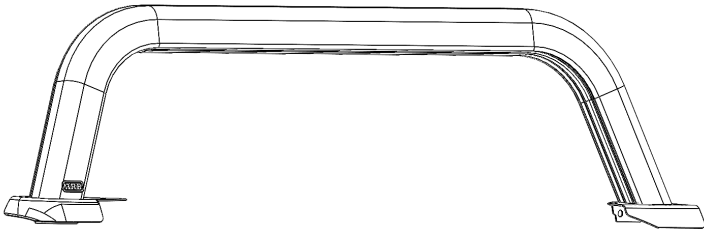
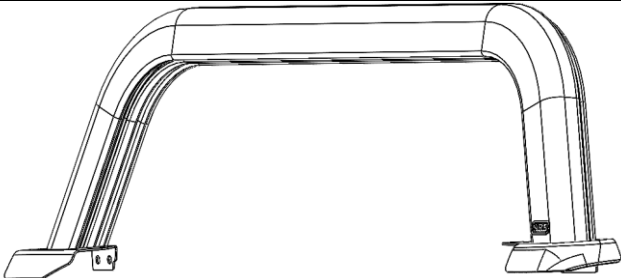
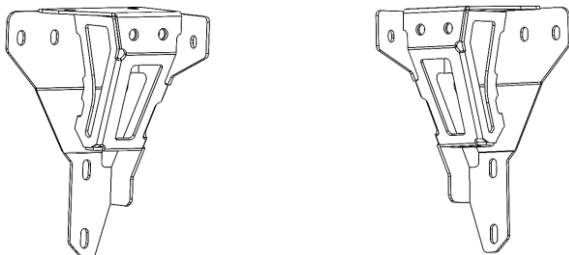
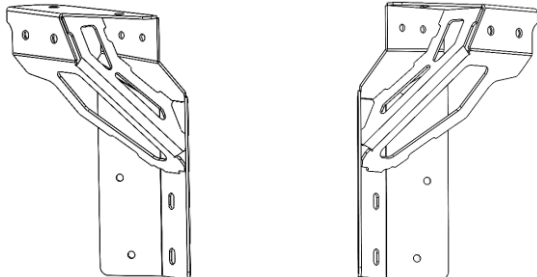
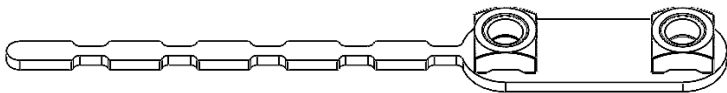
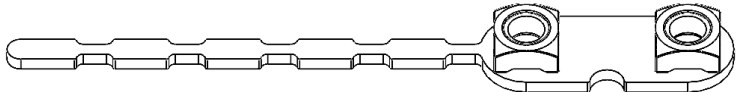
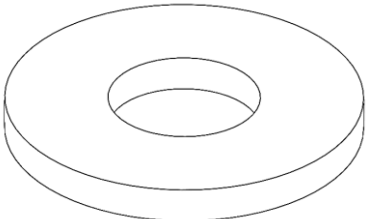
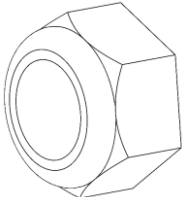
Protective eyewear 	Hearing protection 
--	--

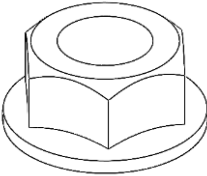
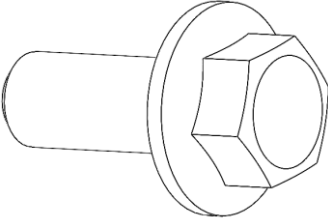
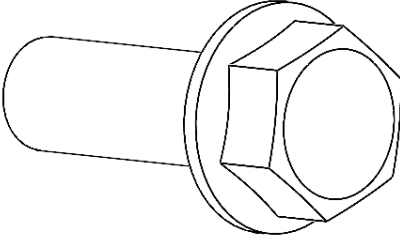
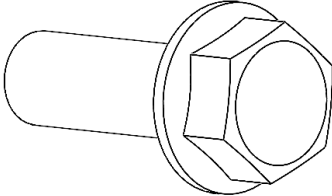

NOTE: 'WARNING' notes in the fitting procedure relate to OHS situations, where to avoid a potentially hazardous situation it is suggested that protective safety gear be worn or a safe work procedure be employed. If these notes and warnings are not heeded, injury may result.

FASTENER TORQUE SETTINGS:

SIZE	Torque Nm	Torque lbft
M8	22Nm	16lbft
M10	44Nm	32lbft

PARTS LISTING

PART NUMBER	DESCRIPTION	QTY	DIAGRAM
6136684R	RH BED RACK FRAME WELDMENT	1	
6136684L	LH BED RACK FRAME WELDMENT	1	
4655374L&R	FRONT BED MNT	1L & 1R	
4655376L&R	REAR TUB MNT	1L & 1R	
4655378	M8 40MM PITCH NUT PLATE	4	
4655379	M8 35MM PITCH NUT PLT	2	
4581063	WASHER FLAT M8x25.4x3 TZP	4	
6151032	NUT HEX NYLOC M8x1.25 TZP480	4	

6151548	NUT FLANGE M8x1.25 PC8.8 BTZP480 SERRATED	4	
6151730	BOLT HXHD FL M8x1.25x20	20	
6151965	BOLT HXHD FL M10x1.5x30	12	
6152153	BOLT HXHD FL M8x1.25x30	8	
6781442	ABRASION RESISTANT TAPE 220 X 18 X 0.4MM	3	

BEFORE STARTING, READ ALL STEPS OF THE INSTRUCTIONS

HILUX SR5 SPORTSBAR



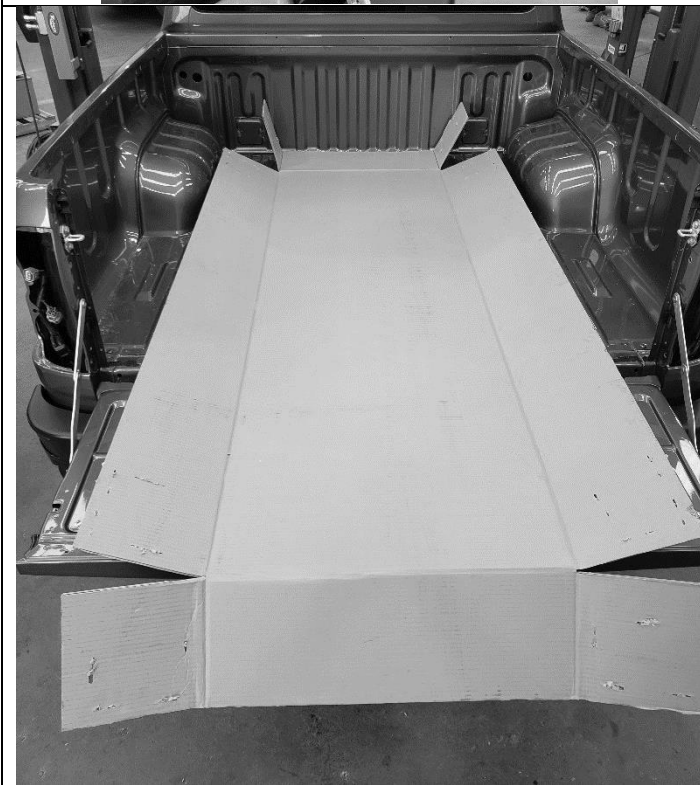
HILUX ROGUE ROLLER SHUTTER



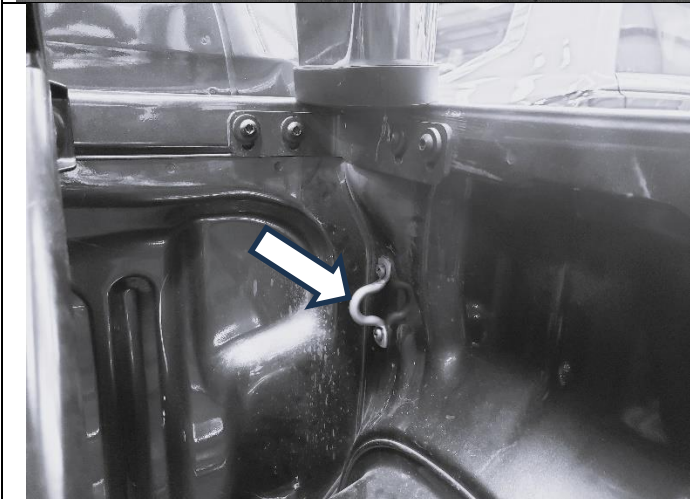
1. Remove all tub accessories fitted.
ie: Sports bar, Roller shutter or Tub liner.



2. Remove both left and right taillights, unplug the lamps and place in a safe location.



3. Remove the BED RACK carton lid, remove the large staples and place into the tub. The carton lid will protect the tub from scratches.



4. Remove all tie down points and set aside for refitment later.

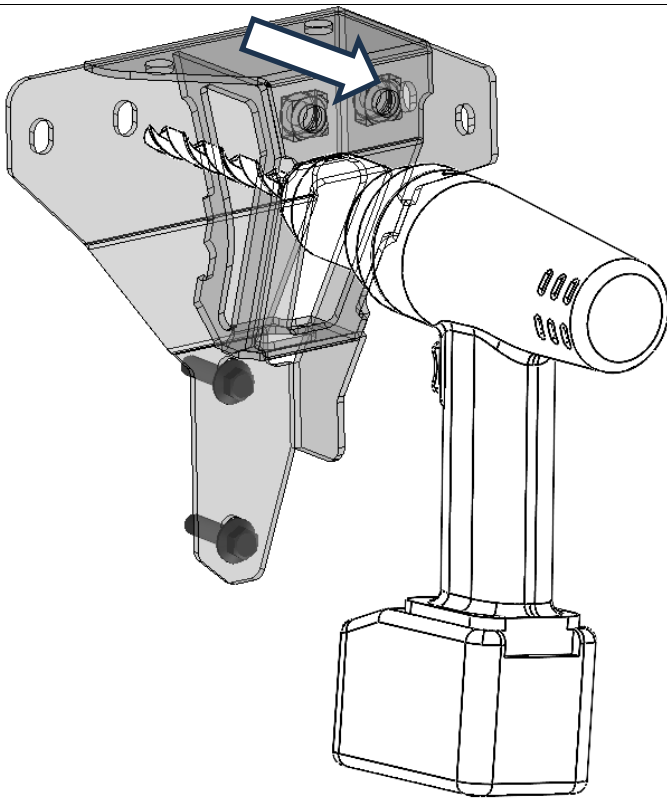


5. Open fit kit box and layout all brackets and fasteners.



6. Fit both the front mounts using two M8x30 FL bolts into the tie down positions.
7. Adjust the height of the mounts to be flush with the top of the tub side, tighten the two M8 bolts to hold the mount in position.

If a Sports bar was fitted skip to step 9.



8. Using an Ø8.5mm drill bit, drill through the tub body at all four mounting slots. One is hidden from view (shown with the arrow) and accessed through the hole in the mount.

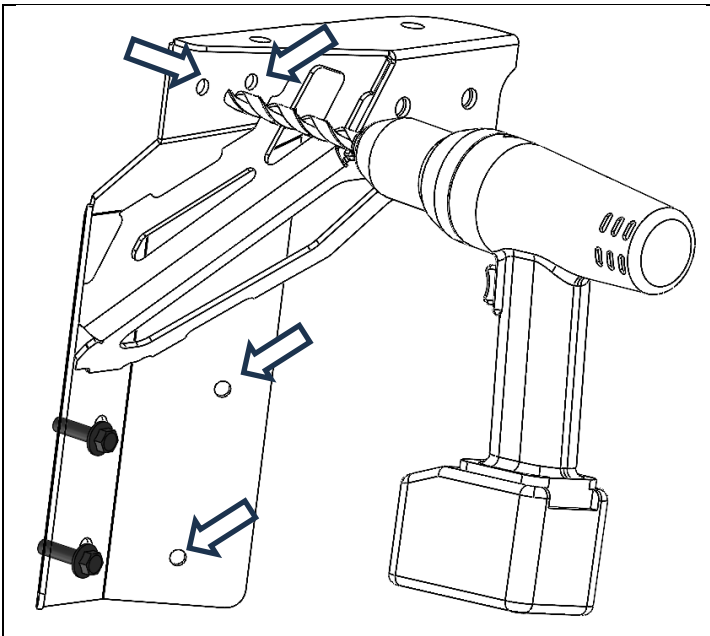
Caution must be taken to not to drill into the next panel.



WARNING: Drilling & Cutting operations can result in flying debris. Eye and ear safety protection should be worn.



9. Fit both the rear mounts using two M8x30 FL bolts into the tie down positions.
10. Adjust the height of the mounts to be flush with the top of the tub side, tighten the two M8 bolts to hold the mount in position.



11. Using an Ø8.5mm drill bit, drill through the tub body at all four mounting holes.

Caution must be taken to not to drill into the next panel.



WARNING: Drilling & Cutting operations can result in flying debris. Eye and ear safety protection should be worn.

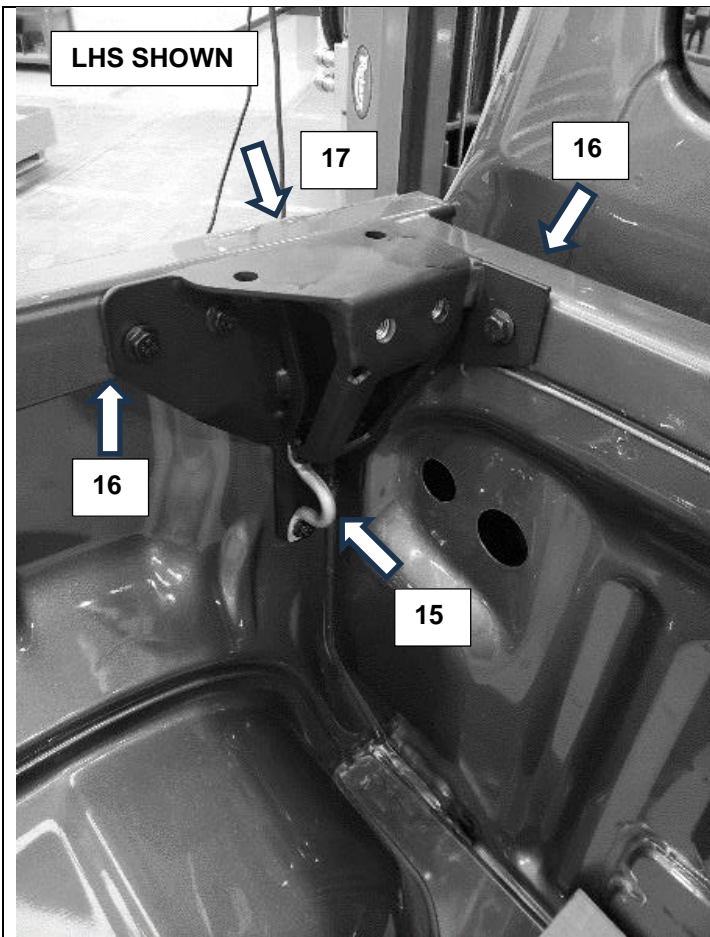


12. Remove all four mounts from the tub and place on a flat surface.

13. Debur all drilled holes and paint raw edges to prevent corrosion.

14. The four M8 40MM PITCH NUT PLATES are used on the front mounts. Bend each one at the first and second relief as shown below.






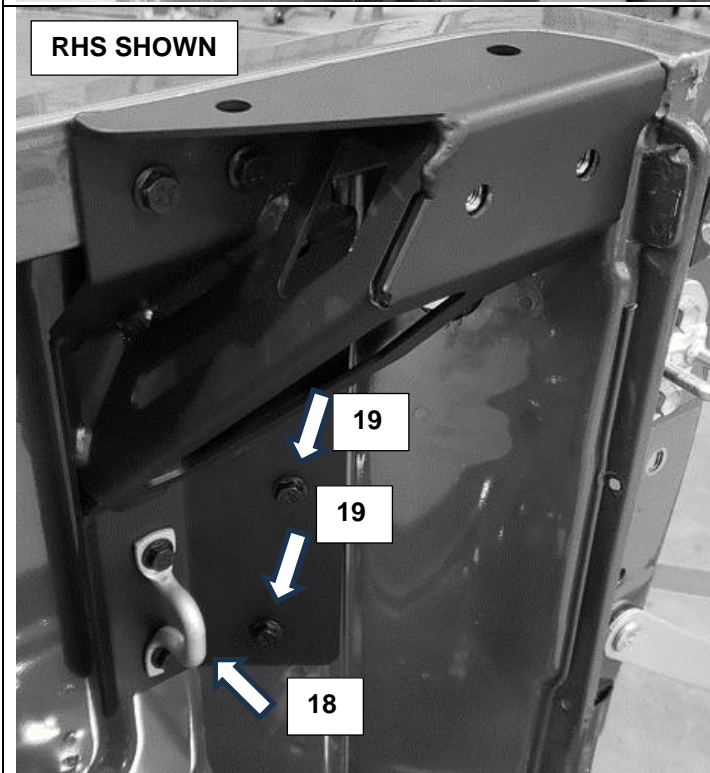
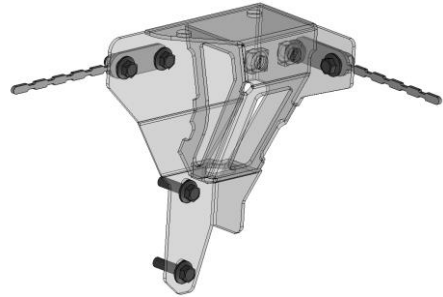
15. Refit both front mounts using two M8 x 30 FL bolts with the tie down point.

16. Fit bent 40mm nut plates behind tub panels and install four M8 x 20 FL bolts.

17. Realign the top faces and torque fasteners to specification.

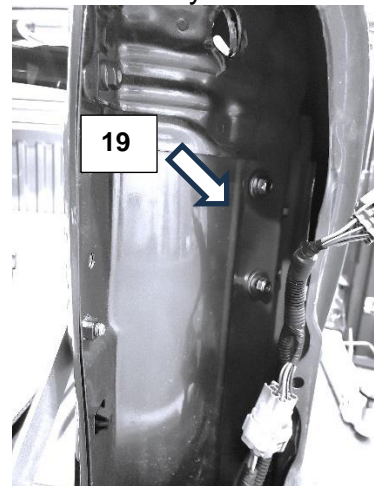
 M8 - 22 Nm.

If a Sports Bar was fitted the holes will align with the Bed Rack mount.

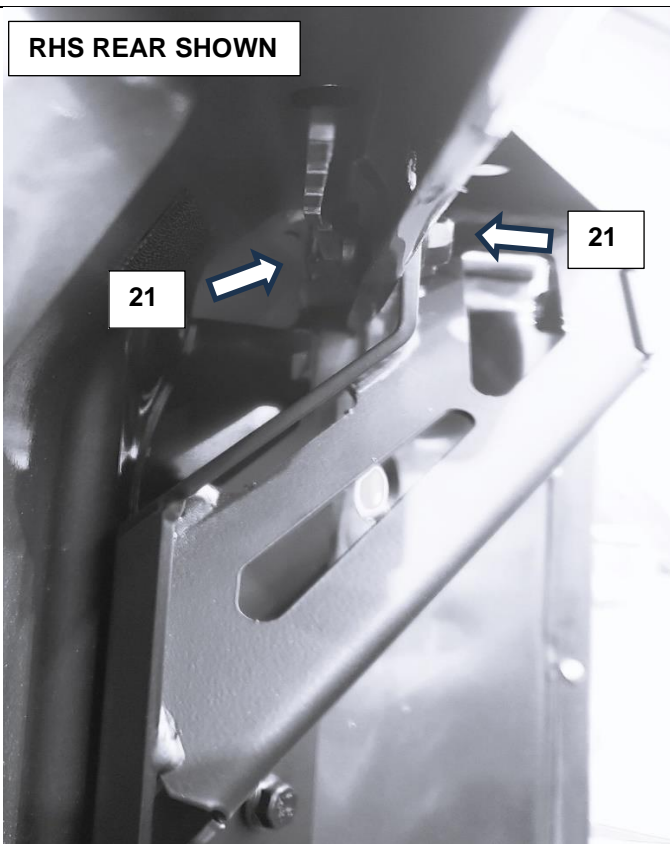


18. Refit both rear mounts using two M8 x 30 FL bolts with the tie down point.

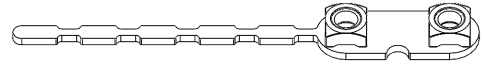
19. Fit two M8 x 20 FL bolts with large M8 washers and Nyloc nuts.



RHS REAR SHOWN




20. Bend the two 35mm PITCH NUT PLATES in the same fashion as step 14.

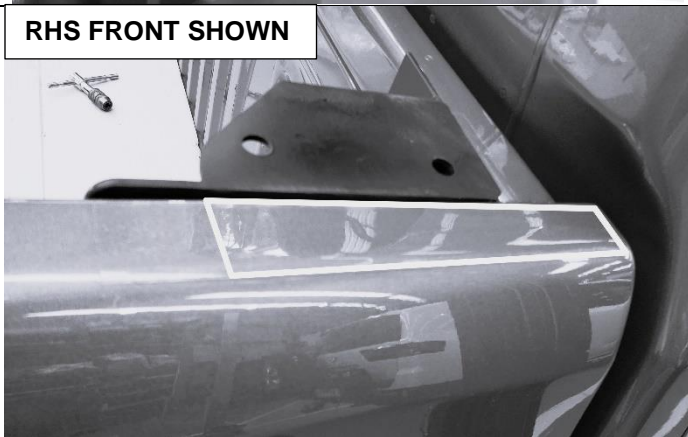


21. Fit nut plate inside tub body and assemble two M8 x 20 FL bolts into the nut plate.

22. Realign the top faces and torque fasteners to specification.

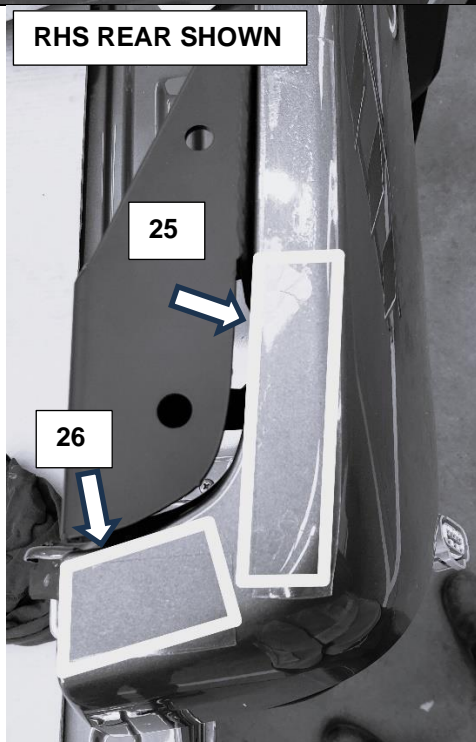
 M8 - 22 Nm.

RHS FRONT SHOWN



23. Cut two pieces of ABRASION RESISTANT TAPE 220 X 18 X 0.4MM to 160mm and fit to the front top surfaces of the tub as shown.

RHS REAR SHOWN

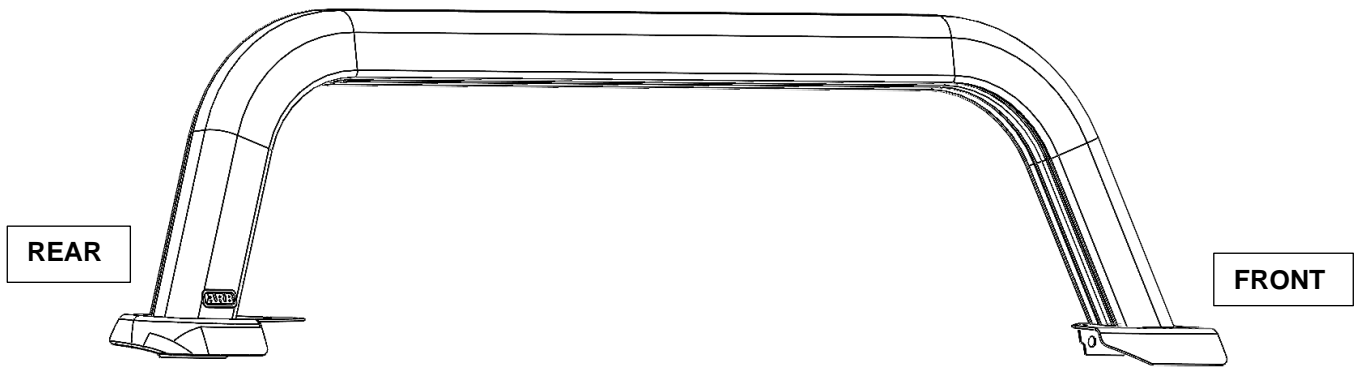


24. Cut the remaining piece of tape in half, 110mm/110mm, and fit one per side on tub top surface.

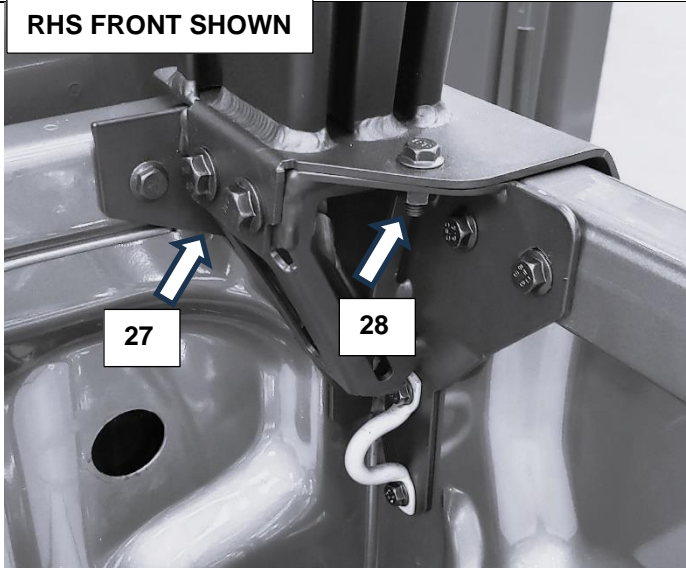
25. Use the offcuts from step 24 on each side to complete the corner of the tub.

FRAME FITMENT

26. Identify the RHS as shown.



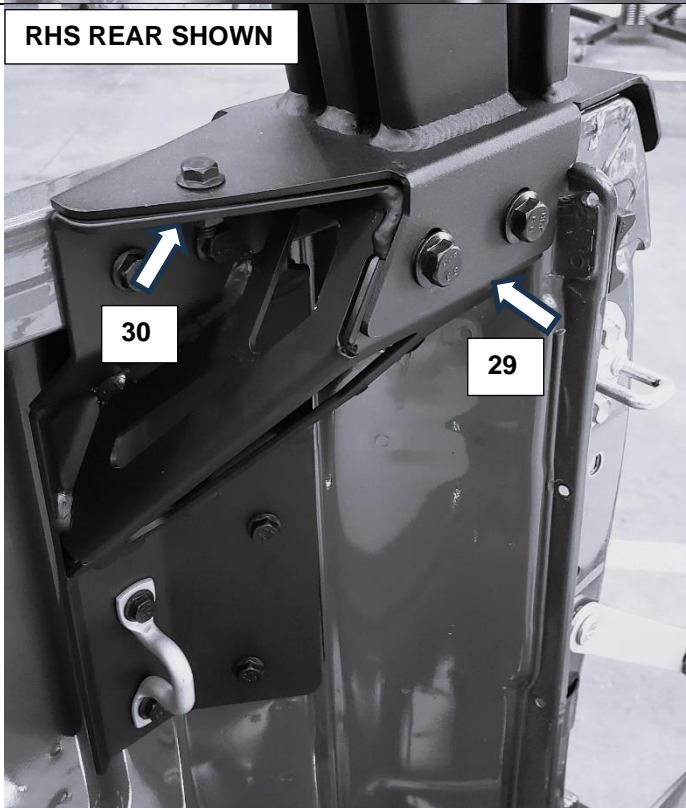
RHS FRONT SHOWN



27. Carefully place Bed Rack Frames onto mounts and fit two M10 x 30 FL BOLTS to support the frame.

28. Loosely fit one M8 x 20 FL BOLT and one M8 FL NUT.

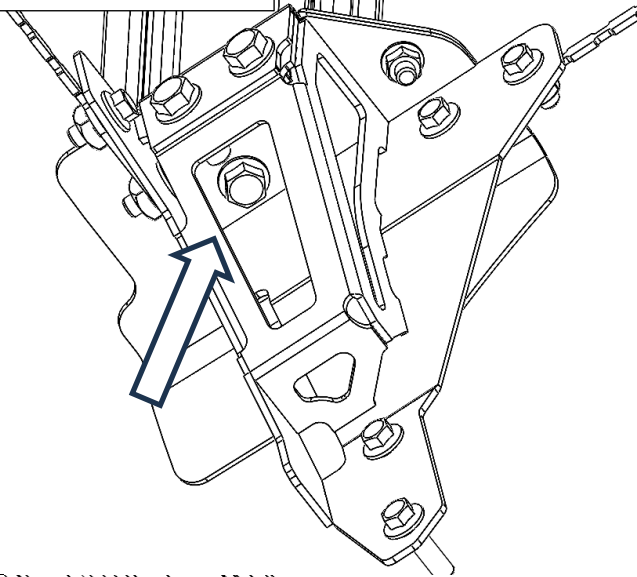
RHS REAR SHOWN



29. Fit two M10 x 30 FL BOLTS, leave loose.

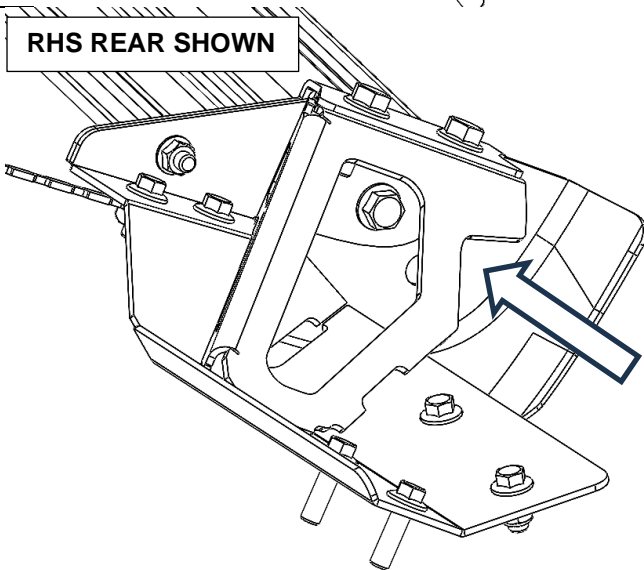
30. Loosely fit one M8 x 20 FL BOLT and one M8 FL NUT.

RHS FRONT SHOWN



31. At the front, fit one M10 x 30 FL BOLT up into the frame through the front mount leaving loose.

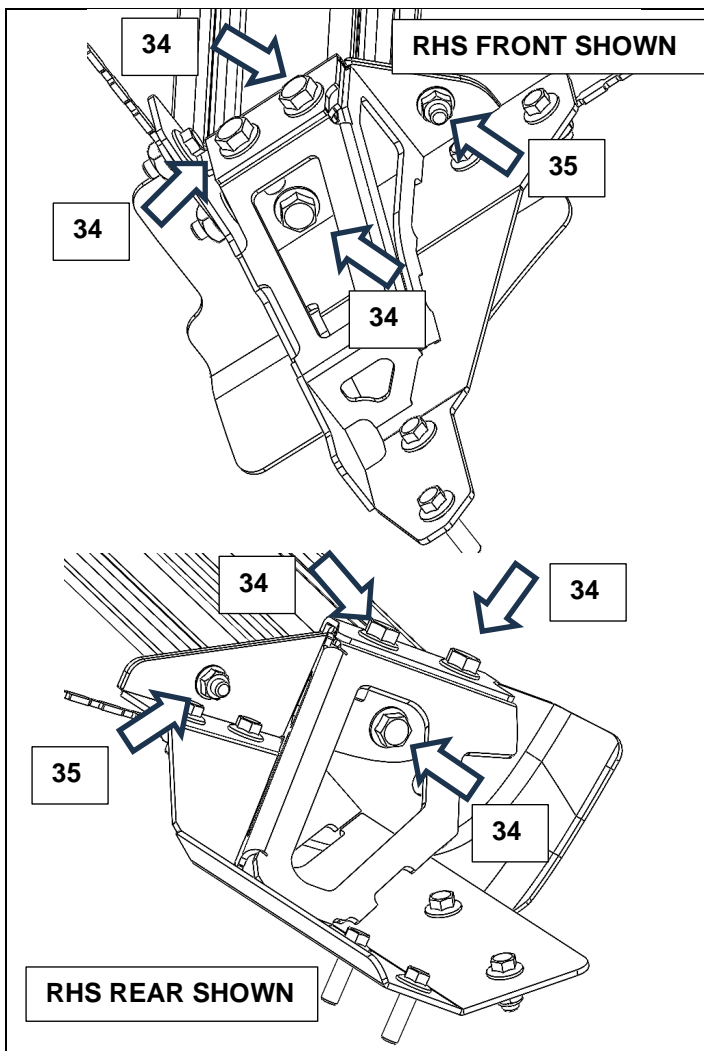
RHS REAR SHOWN



32. At the rear, fit one M10 x 30 FL BOLT up into the frame through the rear access hole in the mount and leave loose.





33. Check the gaps to the tub and adjust frame to make these equal.

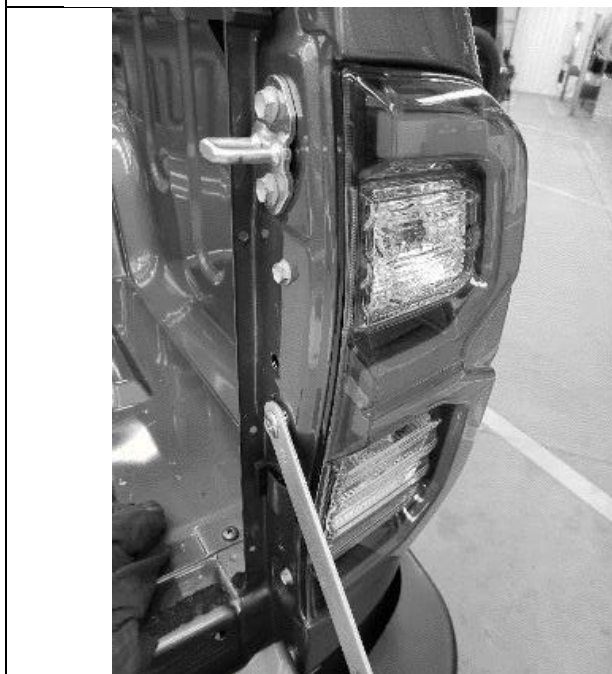


34. Tighten the three M10 FL BOLTS per corner to specification.

35. Tighten one M8 FL BOLT per corner to specification.

 M8 - 22 Nm.

 M10 - 44 Nm.



36. Refit both taillights removed in step 2

37. Continue with mounting of selected BED RACK accessories.

FITTED PRODUCT WITH CROSS BARS SHOWN

